

4-Port Gigabit PoE+ 1-Port Gigabit RJ45 1-Port Gigabit SFP unmanaged Ethernet Switch

Quick Installation Guide

Packing List

Please check the following items after unpacking, if any missing, please contact your local dealer.

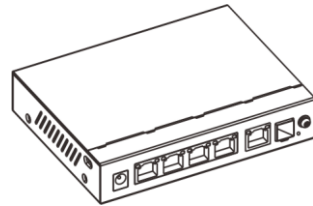
Items	Quantity
Switch	1 pc
Power Adaptor	1 pc
AC Power Cable	1 pc
Mounting Accessory	1 set
User Manual	1 pc

Product Overview

The product is 4-Port Gigabit PoE+ 1-Port Gigabit RJ45 1-Port Gigabit SFP unmanaged Ethernet Switch.

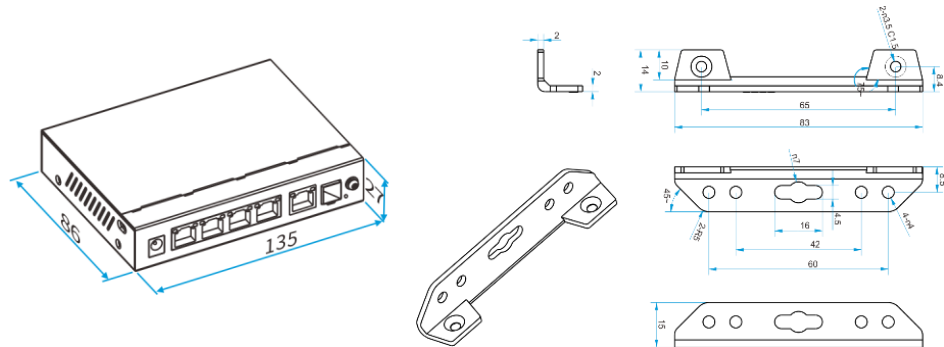
The switch provides 4*10/100/1000Base-T PoE downlink Ethernet RJ-45 ports, 1*10/100/1000Base-T uplink Ethernet RJ-45 port and 1*1000Base-X uplink SFP port.

The switch supports one key smart CCTV mode. Under CCTV mode, it supports PoE watchdog feature, which can detect and restart the camera automatically if it's frozen. It can be widely used in video security monitoring systems, network projects, etc



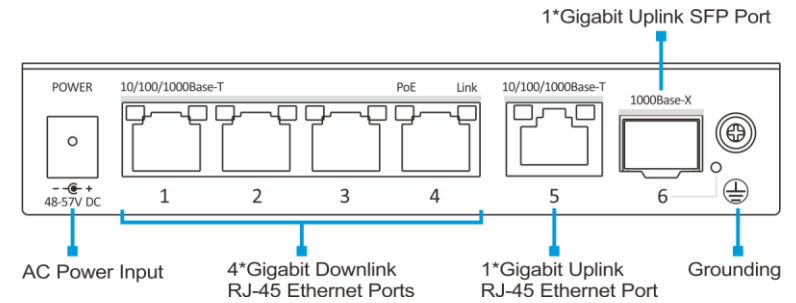
Appearances and Dimensions

Dimensions (mm)

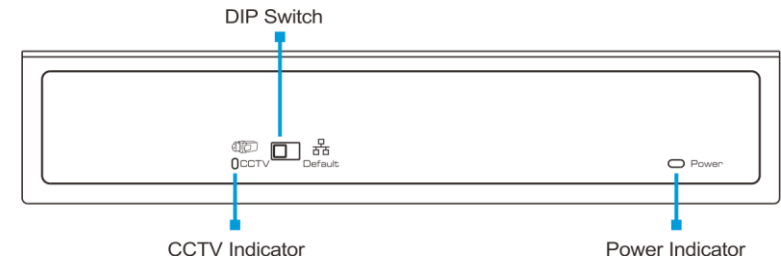


4-Port Gigabit PoE+ 1-Port Gigabit RJ45 1-Port Gigabit SFP unmanaged Ethernet Switch

Front Panel



Rear Panel



Indicators

Indicators		Descriptions	
Power	Power Indicator	On	The power is on.
		Off	The power is off.
CCTV	CCTV Indicator	On	CCTV mode is on.
		Off	CCTV mode is off.
PoE1~4	Port PoE Indicator	On(Orange)	The port is supplying PoE normally.
		Off	The port stops supplying PoE.
Link1~4	Port Link Indicator	On(Green)	The port is linking normally.
		Blink	The port is transmitting or receiving data.
		Off	The port links down.
5	Port Link Indicator (Right side only)	On	The port is linking normally.
		Blink	The port is transmitting or receiving data.
		Off	The port links down.
6	Port Link Indicator	On	The port is linking normally.
		Blink	The port is transmitting or receiving data.
		Off	The port links down.

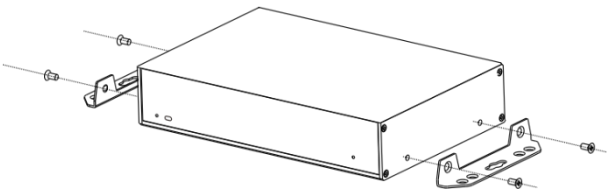
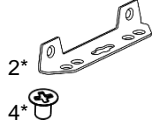
CCTV DIP Switch

Mode	Descriptions
Default	Default mode. CCTV mode is disabled.
CCTV	<ul style="list-style-type: none"> Support VLAN and restraining network storm. All downlink ports are isolated from each other, but can communicate with uplink ports Support PoE Watchdog feature.

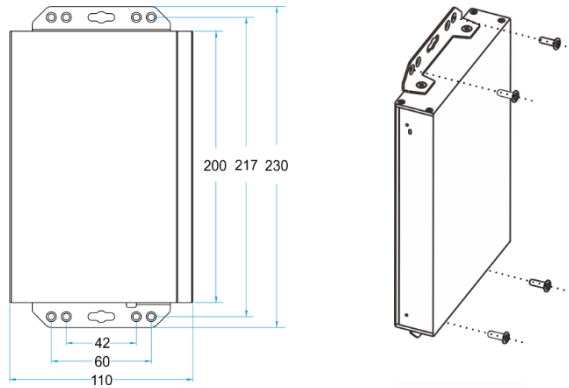
Installation Steps

- 1) Before installation, please disconnect the power supply of each signal source and equipment. Live installation may damage the transmission equipment.
- 2) The switch supports desktop and wall-mounted installations. Users can place it on a clean, stable, grounded workbench, or install it on the vertical, stable wall.

The wall mounted steps are shown in the following table:

Step 1: Fix the two hangers to the switch.	Accessories
	 <p>2* 4*</p>

Step 2: Drill 4 holes on the wall and fix the switch with screws. Please refer to the dimensions as below (unit: mm).



- 3) After step 2) is completed, please use Cat5 or better cables to connect the switch and the device.
- 4) Check the installation and the wiring, after confirming that the connection is correct and reliable, power on the switch.

The installation is complete.

CAUTION

- Power on the system only after confirming that the wiring is correct, to avoid damage to the equipment. It is recommended to use the power adapter and AC power cable to in the package to connect the power supply.
- For better transmission performance, it is recommended to use Cat5e or better cables to connect the switch and powered devices.
- For better protection performance, it is recommended always to make the ground connection first and disconnect it at the end when operating the unit.
- Each PoE RJ-45 port can provide a maximum power of 30W for a powered device. Please do not connect to a powered device with a power exceeding 30W.
- Before operating or maintaining the switch, please read the user manual carefully to avoid equipment damage caused by misoperation.

Specifications

Items	4-Port Gigabit PoE+ 1-Port Gigabit RJ45 1-Port Gigabit SFP unmanaged Ethernet Switch
Hardware Specifications	
Downlink Ports	4*10/100/1000Base-T PoE RJ-45 (Auto-MDI/MDI-X)
Uplink Ports	1*10/100/1000Base-T RJ-45 (Auto-MDI/MDI-X) 1*1000Base-X SFP
Led Indicators	1*PWR Indicator, 1*CCTV Mode Indicator, 4*Downlink Port Link Indicators, 4*Downlink Port PoE Indicators, 2*Uplink Port Link Indicator
Cable	Cat5 or better
Dimensions (W*D*H)	135mm*86mm*27mm
Net Weight	0.3kg
Input Voltage	DC 48~57V
Power Consumption	≤65W (Full load including PoE)
Installation	Desktop/wall-mounted
Material	Metal shell
Switch Property	
Forwarding Modes	Store and Forward
Switching Capacity	12Gbps / non-blocking
Packet Forwarding Rate	8.9Mpps
MAC Table	8k, supported auto learning
Packet Buffer	4Mb
Jumbo Frame	9K
PoE	
PoE device	Endpoint PSE (Power Sourcing Equipment)
PoE Standard	IEEE 802.3af/at
PoE Pin Assignment	1/2(+), 3/6(-)
PoE Power Output	54V DC
PoE Budget	30W max for each port, 60W max for whole switch
Standard Conformance	
Standards Compliance	IEEE 802.3 Ethernet
	IEEE 802.3u Fast Ethernet
	IEEE 802.3ab Gigabit Ethernet
	IEEE 802.3z Gigabit Ethernet
	IEEE 802.3x Flow Control
	IEEE 802.3af Power Over Ethernet IEEE 802.3at Power Over Ethernet
EMC	
EMC	FCC 47 CFR Part 15 Class A
	EN55032 Class A
	IEC61000-4-2, Level 3: Contact Discharge: ±6kV, Air Discharge: ±8kV
	IEC61000-4-3, Level 2: 3V/m
	IEC61000-4-4, Level 2: 1kV
	IEC61000-4-5, line to earth: 6kV IEC61000-4-6, Level 2, (0.15MHz~80MHz)
LVD	
LVD	EN 62368-1:2014
	EN 62328-A11:2017
Environments	
Operating	Temperature: -5°C~45°C
	Relative Humidity: 5%~95% (Non-condensation)
Storage	Temperature: -40°C~75°C
	Relative Humidity: 5%~95% (Non-condensation)
Certifications	
Certifications	CE, FCC

Version: V12, updated 2024.03.04
 The information in this document is subject to change without notice.
 Every effort has been made in the preparation of this document to ensure accuracy of the contents, but all statements, information, and recommendations in this document do not constitute a warranty of any kind, express or implied.